

THERMALBOARD™

ThermalBoard
 Submittal Sheet
 SUB-01

MODULAR HYDRONIC RADIANT THERMAL MASS

JOB NAME _____

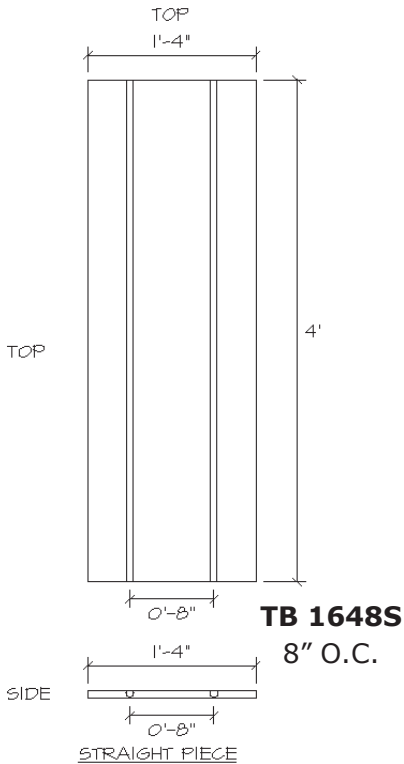
LOCATION _____

ARCHITECT/ENGINEER _____

WHOLESALE _____

INSTALLING CONTRACTOR _____

SUBMITTAL DRAWINGS BY _____



DIMENSIONS:

TB 1648S: 16" X 48"
 TB 1648CE: 16" X 48"
 TB 1648U: 16" X 48"

PROFILE:

5/8" Thick

TUBE SPACING:

8" O.C.
 Acceptable Radiant Tubing: 3/8" ID
 PEX to ASTM F-876 F-877

WEIGHT:

2.5 lb./sq.ft.

COMPOSITION BOARD:

Standard: MDF
 (Consult for options)

COATING:

Warm Coat™ Aluminum Laminate

TB 1648CE

TB 1648U

